

HTX23 Series

OEM RH & Temperature Transmitter for Indoor Applications

FEATURES

- Humidity & Temp. measure
- Easy installation
- Compact & slim size
- Free 3m standard cable
- Fast response time
- Stable, low drift performance
- Chemically resistant

APPLICATIONS

- Refrigeration equipment
- HVAC equipment
- Humidifier & dehumidifier
- Medical equipment
- Drying
- Metrology
- Data logger
- OEM assemblies

HUMITRON® HTX23 series is a module for detection of temperature and humidity which is especially for OEM and satisfactory in aspects of price and quality. It provides users with 4~20mA standard interface and it is designed with compact and slim shape, so users don't need to consider any spatial restriction or exposure when it is installed inside or outside of various types of climate control units or control facilities.

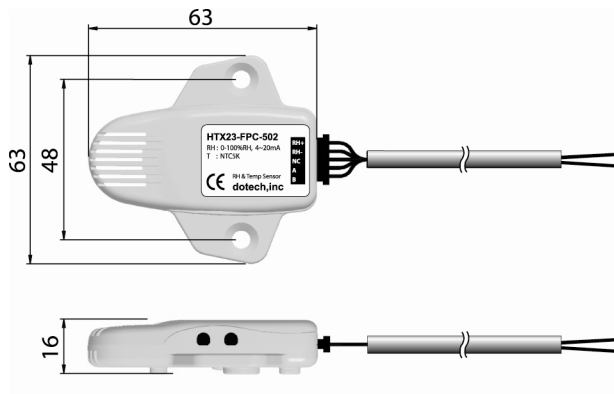


Also, it can help users to reduce unnecessary cost and to maximize works efficiency through combination of 4~20mA standard humidity output and various temperature outputs (including passive) according to users' needs.

SPECIFICATIONS

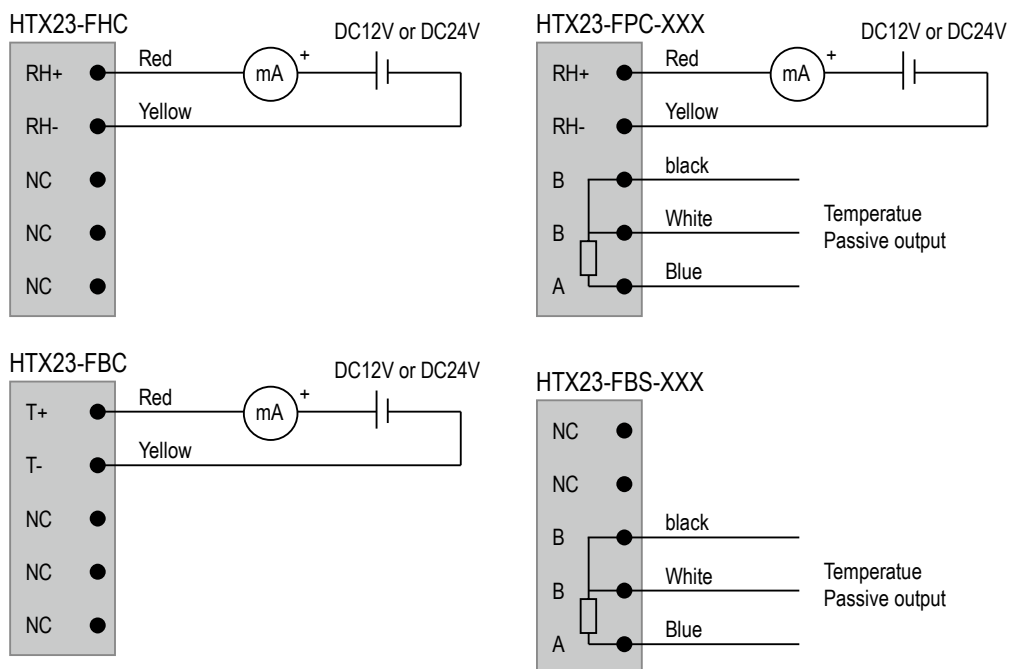
Item		Model	HTX23
Humidity	Range		0 ~ 100% (Non-Condensation)
	Accuracy		±3.0%RH (20~80%RH)
	Repeatability		±0.5%RH
	Response		Max. 15 sec
	Output		4~20mA (Two wires type) : Load Resistance ≥ 250ohm at 12V Loop Power Supply Load Resistance ≥ 500ohm at 24V Loop Power Supply
Temperature	Range		-20~ 80°C
	Accuracy		25 °C @ ±0.4 °C
	Repeatability		±0.1 °C
	Response		Max. 5 sec
	Output		4~20mA (Two wires type) : Load Resistance ≥ 250ohm at 12V Loop Power Supply Load Resistance ≥ 500ohm at 24V Loop Power Supply
Passive Output (T-Sensor)			PT100,PT1k,NI1k,NTC5k,NTC10k
Voltage Supply			12Vdc(6 to 30Vdc)
Dimension(W×H×Dmm)			63×63×16 (mm)
Wiring Method			5-Pin Connector 3m cable (include)
Storage Condition			-25 ~ 50 °C, Non-Condensation
Operating Condition			-20 ~ 50 °C, 0 ~ 95%RH
Housing			PC-ABS
Weight			16 g

Housing / Mounting Dimension



Wire Specifications : UL2547 5C 3meter

Connection Diagram



Load Resistance \geq 250ohm at 12V Loop Power Supply, Load Resistance \geq 500ohm at 24V Loop Power Supply

Ordering Guide

Basic	Series	Type	Description
HTX	23		HUMITRON HTX 23 Series Transmitters
		FHC	Humidity (4~20mA)
		FBC	Temperature (4~20mA)
		FPC-PT100	Humidity (4~20mA), Temperature Pt100ohm Passive output
		FPC-502	Humidity (4~20mA), Temperature NTC5Kohm Passive output
		FBS-PT100	Temperature Pt100ohm Passive output
		FBS-502	Temperature NTC5Kohm Passive output
		FTS-1k	Humidity(1~4V), Temperature NTC1Kohm Passive output

Temperature Passive output : PT100,PT1000,NI1k,NTC5k,NTC10k