

HTX72/73 Series

Climate Control Temperature & Humidity Transmitter

FEATURES

- Thin Film Polymer Sensor
- High Accuracy & Safety
- Currency or Voltage Output
- Water-Proof Housing
- Compact & Slim Size
- Easy Installation

APPLICATIONS

- HVAC
- Cleanroom
- Dehumidifier
- Humidifier
- Precision Air-Conditioner
- Building Automation
- Garden(Farm)
- Lab/Test Room
- Museum / Show Room
- Industrial (Production / Storage)
- Semi-Conductor
- Subway / Train
- Pharmacy, Food
- Factory Automation
- Printing Factory
- Environmental Monitoring System
- Weather monitoring
- Road
- Mobile Base Station

HUMITRON® HTX72/73 series is an economical model for the general climate controlling circumstance and makes it possible to measure the exact temperature and humidity. Also, HTX73 series can maintain longterm durability in the circumstance where is dusty and occurs constant air flow by applying stainless steel mesh filter. You can choose either duct mount type or wall mount type according to installed place or method.

o Water-Proof & Independent Structure

- Minimizing outside influences at high humid place
- Removing self-heating error by isolation of fine heat at circuit part

o Choosing Metal Mesh Filter

- Excellence in sensor protection & high response speed
- Removable structure for easy installation & maintenance

o Operational with Low Voltage (6 volts)

- Superior to long-distance transmission
- Usable at high impedance

o Basic for Humidity Measuring, Option for Temperature Measuring

- Cost Saving Effect
- Minimization

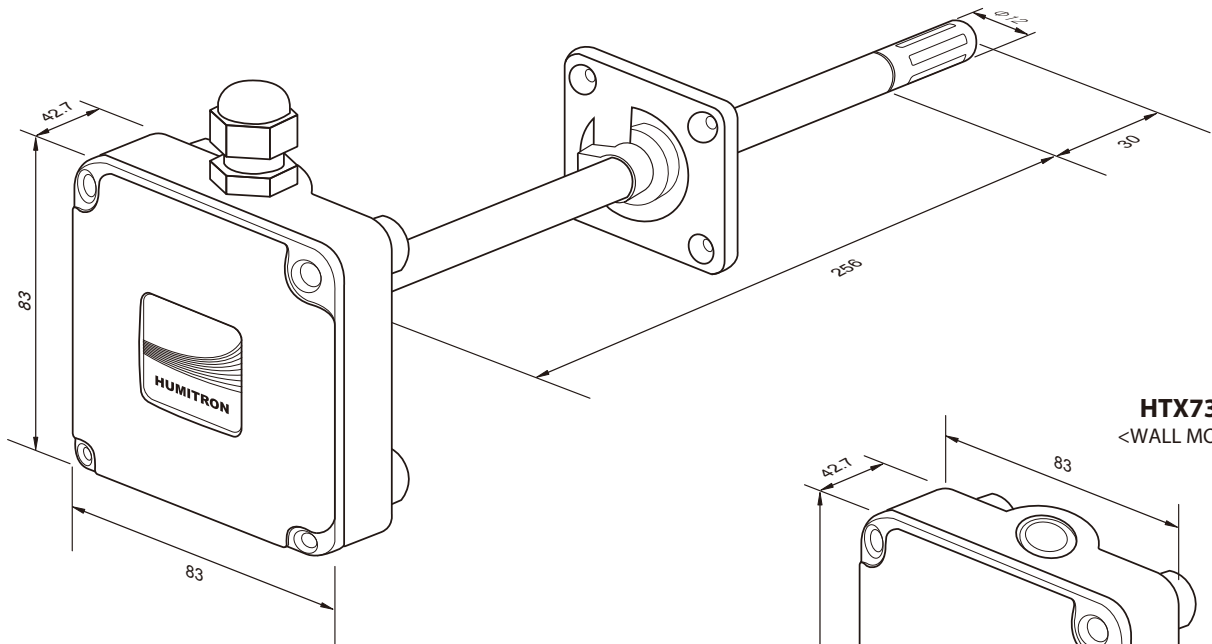


SPECIFICATIONS

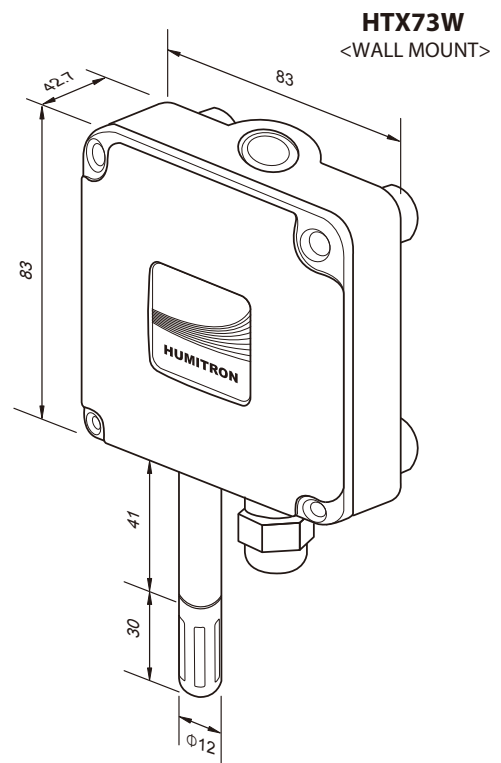
Item	Model	HTX72	HTX73
Humidity	Range	0 ... 100 %rh	
	Accuracy	± 2.0 %rh	± 3.0 %rh
	Linearity	± 0.5 %rh	
	Repetitiveness	± 0.5 %rh	
	Response	15 Sec. (25°C, under the low velocity of wind)	
	Output	4 ... 20mA(2-Wire)	
Temperature	Range	-30 ... 70°C, -20 ... 80°C, -10 ... 60°C	
	Accuracy	± 0.3 °C	± 0.5 °C
	Sensing Element	PT100Ω Class A	
	Output	4 ... 20mA(2-Wire) or Passive Elements (Pt100Ω, Pt1000Ω, Ni1000Ω, NTC5K, NTC10K, Custom)	
Sensor Protection		ABS + Mesh-Filter	
Supplying Power		24Vdc(6 ... 30Vdc) or 24Vac	
Size(W×H×Dmm)		83 x 83 x 42.7 (Cable gland, probe/filter is out of scope)	
Cable Gland		PG9 (Black, Anti-Drag, 3 ... 6.5mm)	
Wiring Type		Plug Type, 2~5pins Terminal Block, 14 ... 22AWG	
Housing		ABS, Water-proof Structure (IP65)	
Weight		Wall Type : 105g / Duct Type : 134.4g	



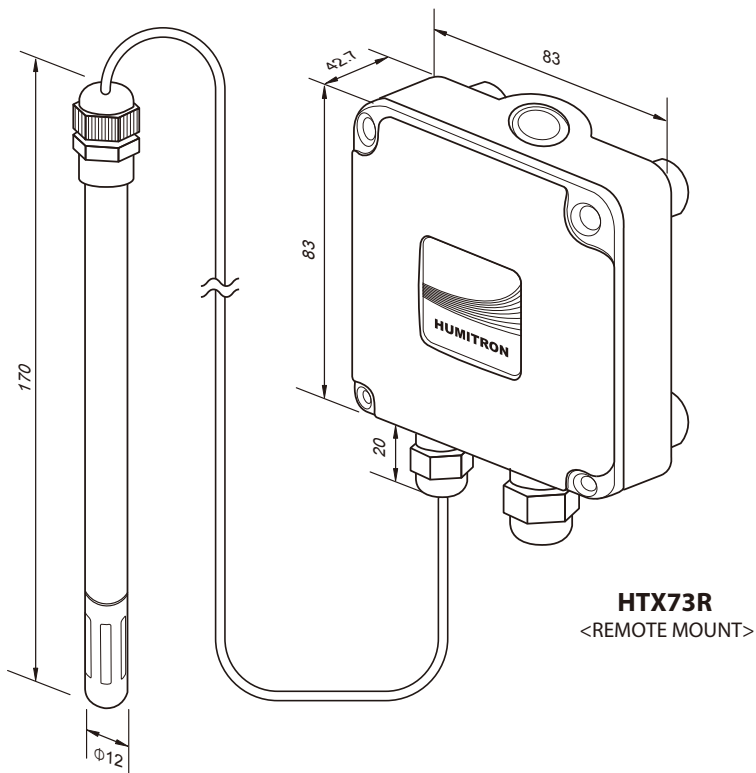
Housing Dimension(mm)



HTX73D
<DUCT MOUNT >

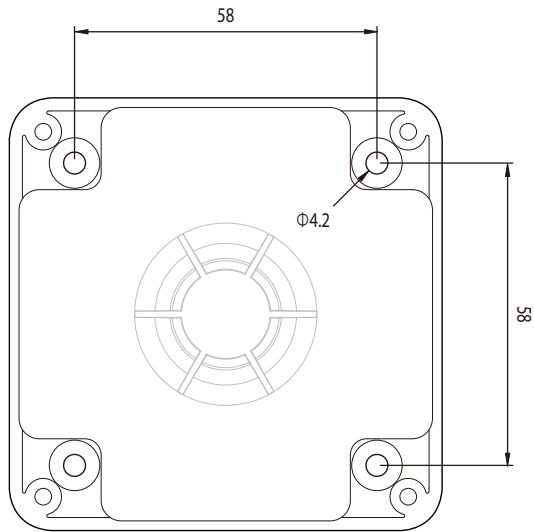


HTX73W
<WALL MOUNT >

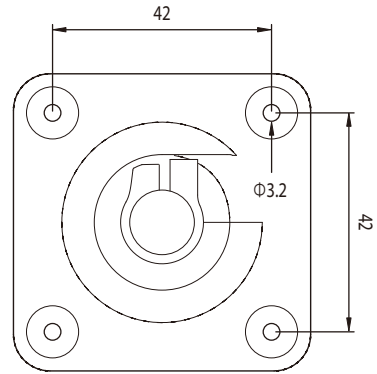


HTX73R
<REMOTE MOUNT >

Mounting Dimension(mm)



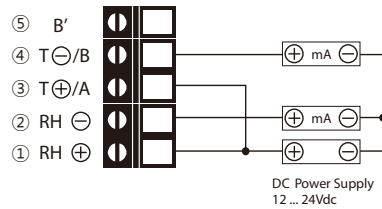
<Wall & Duct Mount>



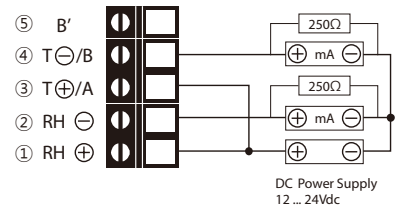
<Duct Mount Bracket>

Connection Diagram

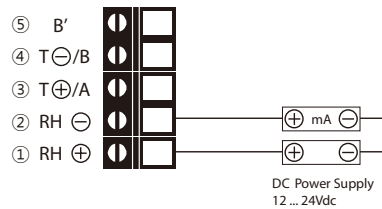
- HTXnn-FTC (Humidity : 4 ... 20mA, Temp. : 4 ... 20mA)



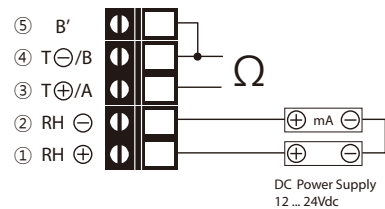
- HTXnn-FTC (Humidity : 1 ... 5V, Temp. : 1 ... 5V)



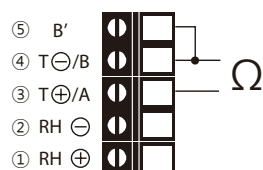
- HTXnn-FHC (Humidity : 4 ... 20mA)



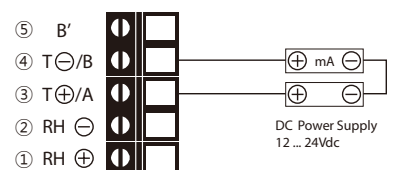
- HTXnn-FPC (Humidity : 4 ... 20mA, Temp. : Passive)



- HTXnn-FBS (Temperature : Passive)



- HTXnn-FBC (Temperature Only : 4 ... 20mA)



Ordering Guide

Series	Accuracy	Mount	Type	Output	Temp. Range	Description
HTX						HUMITRON HTX Series
	72					RH : $\pm 2.0\%$, Temp : $\pm 0.3^\circ\text{C}$
	73					RH : $\pm 3.0\%$, Temp : $\pm 0.5^\circ\text{C}$
		W				Wall Mount Type (Room)
		D				Duct Mount Type
		R				Remote Probe Type
			FT			Humidity & Temperature
			FP			Humidity & Passive element
			FH			Humidity Only
			FB			Temperature Only
			FC			Humidity Only (Temp. Compensation)
				C		Current Output 4 ... 20mAdc
				S		Element Only (FB Type Only)
					L	$-30^\circ\text{C} \dots 70^\circ\text{C}$
					H	$-20^\circ\text{C} \dots 80^\circ\text{C}$
					J	$-10.0^\circ\text{C} \dots 60.0^\circ\text{C}$
					K	Other(by Custom)
					PT100	FT Type RTD PT100 ohm
					PT1K	RTD PT1000 ohm
					NTC5K	NTC5K ohm
					P	Other(by Custom, Element)

※ Remote Probe Type Cable Length 3m

Ordering Example

HTX73W-FTCL

- Model : Humidity & Temperature Transmitter
- Accuracy : RH : $\pm 3.0\%$, Temp. : $\pm 0.5^\circ\text{C}$
- Output : 4 ... 20mA (Humidity), 4 ... 20mA (Temperature)
- Housing : Wall mounting
- Temperature Range : $-30 \dots 70^\circ\text{C}$